

Aluminium Separator Sandjet Model SJ-L

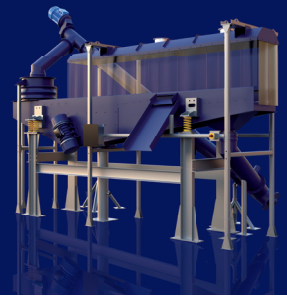


Typical Applications

Separation of light metals (aluminum and magnesium) from heavy metals from fines and mid sizes zorba (3/16" up to 1 1/2")



Aluminium Separator Sandjet Model SJ-L



Technical Specifications

The SGM Linear Sandjet works on the same gravimetric principle as a wet media plant however, instead of using ferro silicium to bring the liquid density up to the one of aluminum, the Linear Sandjet uses sand that is fluidized through air jets to bring the sand density down to the one of aluminum.

The SGM Linear Sandjet provides great feedstock for further optical copper and brass separation from the heavy metals stream.

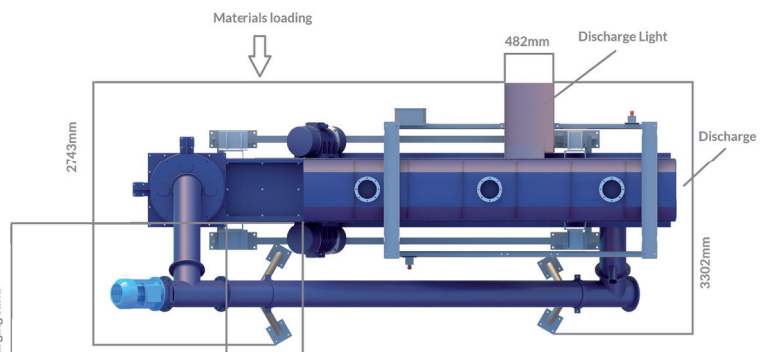
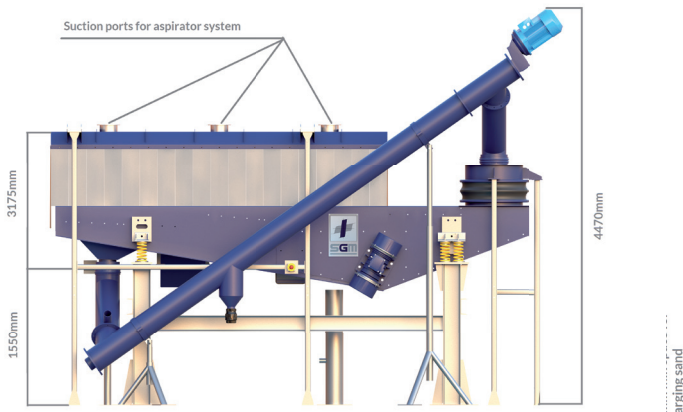
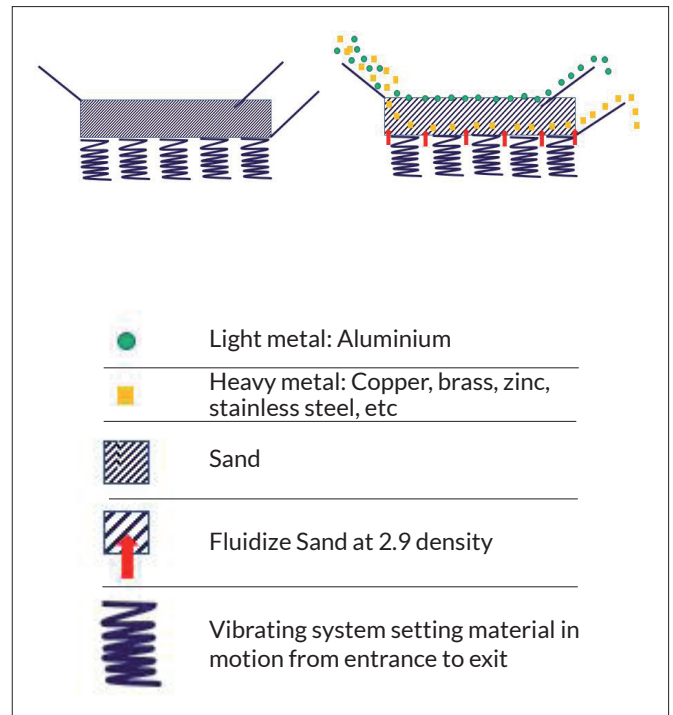
The SGM Sandjet is specifically suited for processing spherical shape pieces that tend to bounce on air gravity tables.

MODEL	CAPACITY (*)	VIBRATORY MOTOR	SCREW CONVEYOR MOTOR	BLOWER	WEIGHT
SJ - L600	1 t/h	2 x 10.7 HP	25 HP	1 x 2.5 HP	6,614 lbs

(*) Depending on application, material specific weigh and metal content in material

Product Highlights

- Designed for easy maintenance, built for heavy duty
- Provided with variable frequency drives on blower and vibrators for fine tuned device
- Separation performance better or equal to wet media separation
- Easy to operate and to optimize parameters
- Low labor operating cost
- No need for sludge recycling process
- No need for metal drying process to avoid oxidation



SGM Magnetics Corporation

Separation and Recycling

4521 19th Street Court East, Suite 101, Bradenton, FL 34203
866.693.4815 www.sgmmagnetics.com info@sgmmagnetics.com

