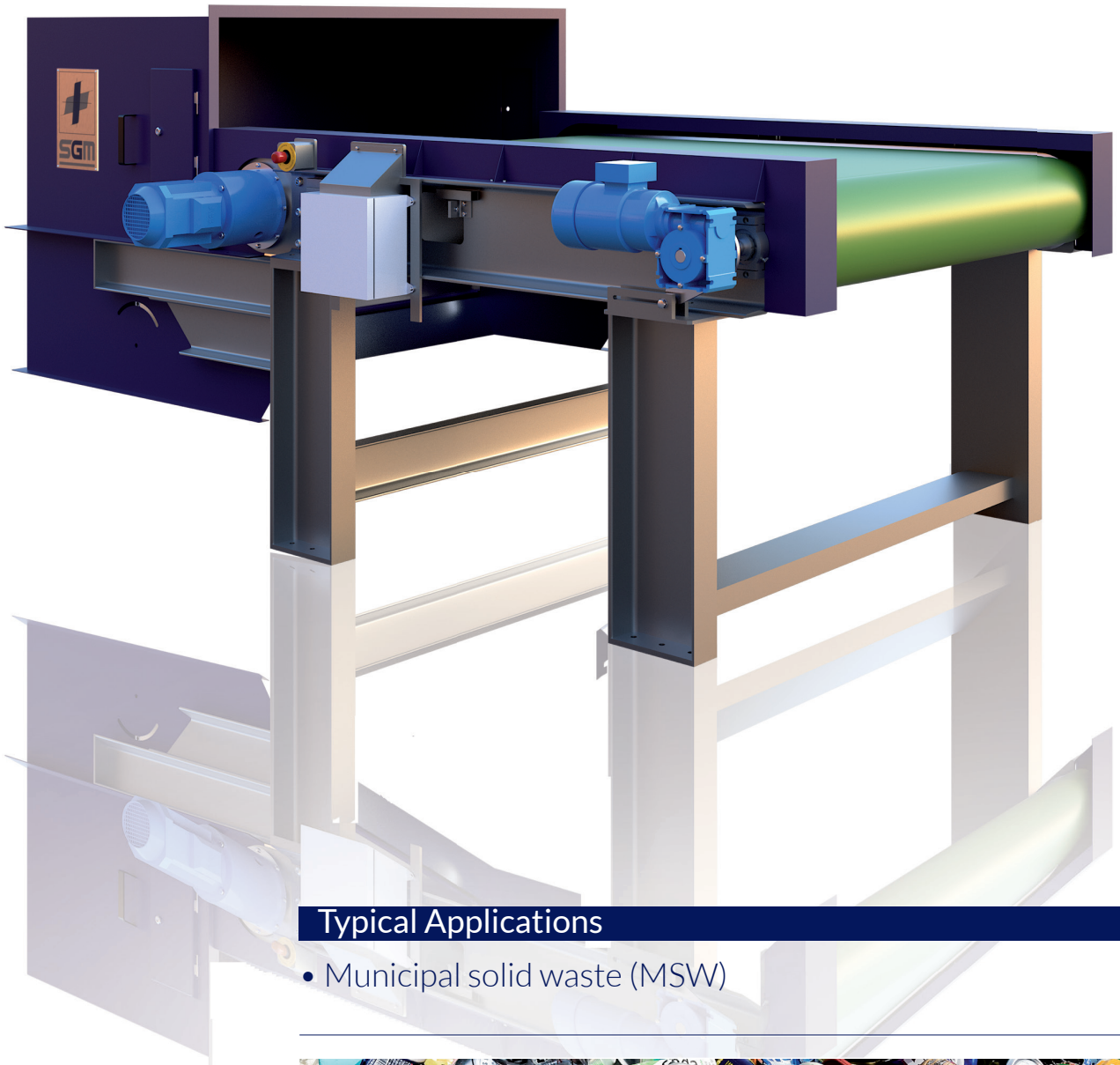


Eddy Current Separator

Model EIS

Easy to operate, easy to maintain, extremely reliable and very cost effective!



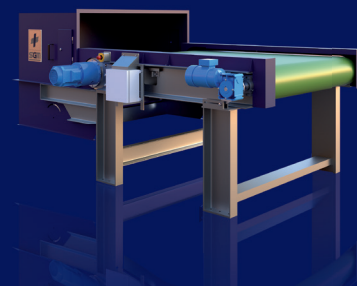
Typical Applications

- Municipal solid waste (MSW)



Eddy Current Separator

Model EIS



Technical Specifications

Designed with a concentric rotor for maximum exposure of material to magnetic field.

Product Highlights

- Latest generation of performing neodymium permanent magnets.
- Designed for easy access to the inside of the ECS and for easy maintenance.

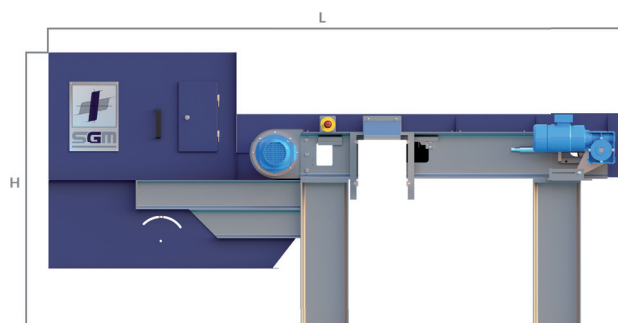
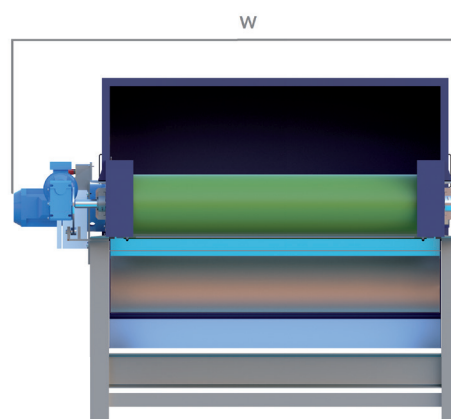
MODEL	RPM	NUMBER OF POLES	ADJUSTABLE BELT SPEED	CAPACITY (*)
EIS 100/150	1500	24	0,6-2,1 m/sec	8 t/h
EIS 100/200	1500	24	0,6-2,1 m/sec	8 t/h
EIS 130/150	1500	24	0,6-2,1 m/sec	13 t/h
EIS 130/200	1500	24	0,6-2,1 m/sec	13 t/h
EIS 150/200	1500	24	0,6-2,1 m/sec	18 t/h
EIS 150/250	1500	24	0,6-2,1 m/sec	18 t/h

* Depending on application, material specific weight and metal content material

MODEL	LENGTH	WIDTH	HEIGHT	WEIGHT
EIS 100/150	3160 mm	1825 mm	1390 mm	1,500 kg
EIS 100/200	3660 mm	1825 mm	1390 mm	1,650 kg
EIS 130/150	3160 mm	2215 mm	1100 mm	1,600 kg
EIS 130/200	3660 mm	2215 mm	1100 mm	1,750 kg
EIS 150/200	3190 mm	2410 mm	1390 mm	2,050 kg
EIS 150/250	3683 mm	2413 mm	1397 mm	2,100 kg

Optional Features

- Electronic emergency fast breaking system (no clamping)
- Brush cleaning system for belt
- Vibrating feeder



SGM Magnetics SpA
Separation and Recycling

Via Leno 2/D Manerbio, BS Italy, 0039 0309938400
info@sgmmagnetics.com www.sgmmagnetics.com

