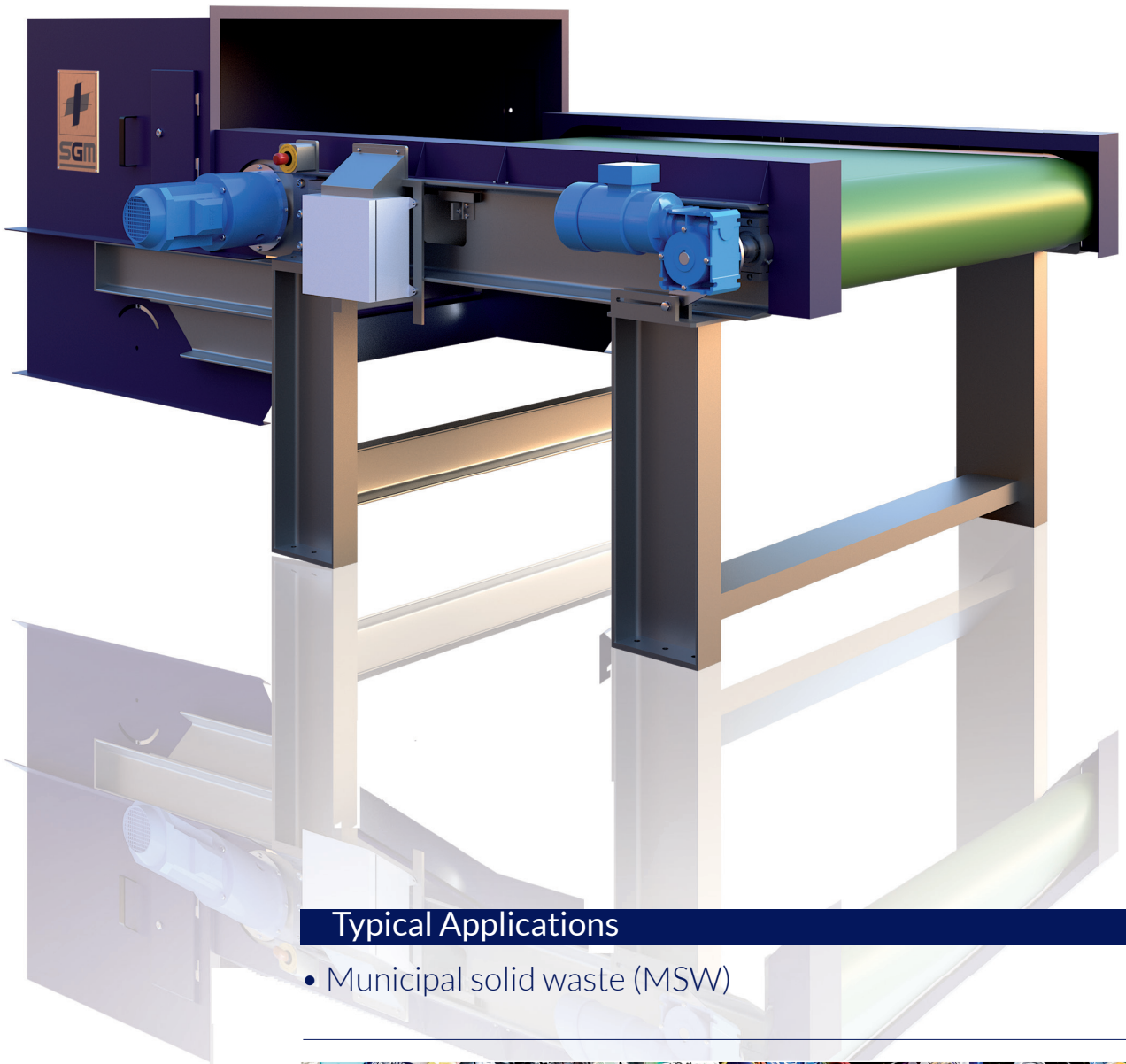


Eddy Current Separator

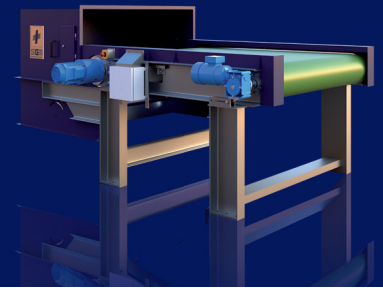
Model EIS

Easy to operate, easy to maintain, extremely reliable and very cost effective!



Eddy Current Separator

Model EIS



Technical Specifications

Designed with a concentric rotor for maximum exposure of material to magnetic field.

Product Highlights

- Latest generation of performing neodymium permanent magnets.
- Designed for easy access to the inside of the ECS and for easy maintenance.

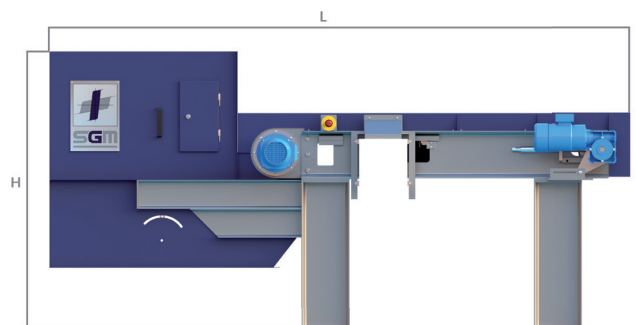
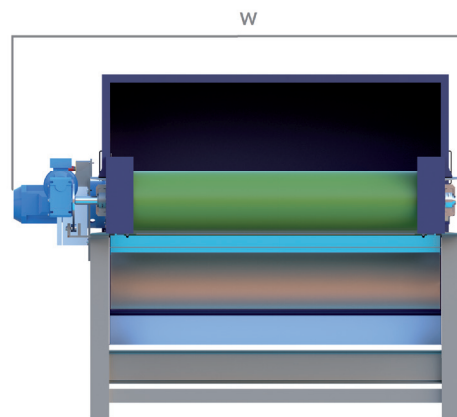
MODEL	RPM	NUMBER OF POLES	ADJUSTABLE BELT SPEED	CAPACITY (*)								
EIS 40/60	1500	24	1.9-6.8 ft/sec	8 t/h								
EIS 40/80	1500	24	1.9-6.8 ft/sec	8 t/h								
EIS 50/60	1500	24	1.9-6.8 ft/sec	13 t/h								
EIS 50/80	1500	24 </tr <tr> <td>EIS 60/80</td> <td>1500</td> <td>24</td> <td>1.9-6.8 ft/sec</td> <td>18 t/h</td> </tr> <tr> <td>EIS 60/100</td> <td>1500</td> <td>24</td> <td>1.9-6.8 ft/sec</td> <td>18 t/h</td> </tr>	EIS 60/80	1500	24	1.9-6.8 ft/sec	18 t/h	EIS 60/100	1500	24	1.9-6.8 ft/sec	18 t/h
EIS 60/80	1500	24	1.9-6.8 ft/sec	18 t/h								
EIS 60/100	1500	24	1.9-6.8 ft/sec	18 t/h								

* Depending on application, material specific weight and metal content material

MODEL	LENGTH	WIDTH	HEIGHT	WEIGHT
EIS 40/60	124"	72"	55"	3,307 lb
EIS 40/80	144"	72"	55"	3,637 lb
EIS 50/60	124"	87"	43"	3,527 lb
EIS 50/80	144"	87"	43"	3,858 lb
EIS 60/80	126"	95"	55"	4,519 lb
EIS 60/100	145"	95"	55"	4,629 lb

Optional Features

- Electronic emergency fast breaking system (no clamping)
- Brush cleaning system for belt
- Vibrating feeder



SGM Magnetics Corporation
Separation and Recycling

4521 19th Street Court East, Suite 101, Bradenton, FL 34203
866.693.4815 www.sgmmagnetics.com info@sgmmagnets.com

